




metroline

a division of
ELAN DESIGNS LTD.



overall lengths:

	x-1 sofa	85"
	sofa	73"
	sm. sofa	59"
	loveseat	51"
	chaise r/l	29/59"
	wide chair	33"
	chair	29"

standards:

tight upholstered seats
buttoned fixed back
6" tripod legs

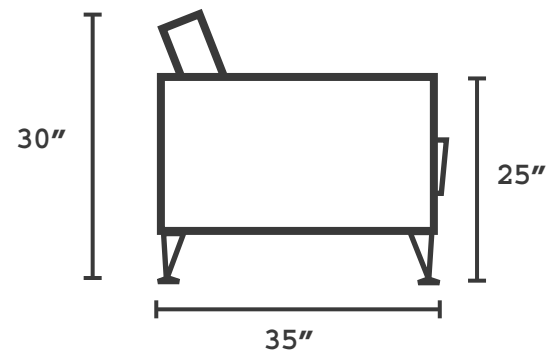
options:

plain fixed backs
square back cushions*
6" jetson legs
arm caps*

sectionals:

see sizing chart for configurations

*upcharge applies



a division of
ELAN DESIGNS LTD.

www.metrolinesofas.com
contactus@metrolinesofas.com

www.clansofas.com
contactus@clansofas.com

tribeca



available lengths:



x-1 sofa 88"



sofa 76"



sm. sofa 62"



loveseat 54"



chaise r/l 31/59"



wide chair 36"



chair 32"

standards:

zipped & reversible seats/backs
5" wood legs

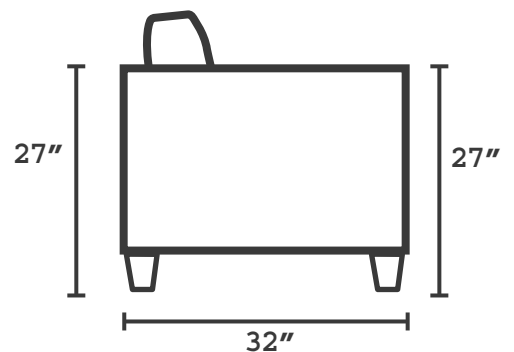
options:

channeled backs*
6" tripod/jetson legs*
arm caps*

sectionals:

for configurations
see sizing chart

*upcharge applies



a division of
ELAN DESIGNS LTD.

www.metrolinesofas.com
contactus@metrolinesofas.com

www.clansofas.com
contactus@clansofas.com

manhattan



available lengths:



x-1 sofa 90"



sofa 78"



sm. sofa 64"



loveseat 56"



chaise r/l 33/59"



wide chair 38"



chair 34"

standards:

zipped & reversible seats/backs
5" wood legs

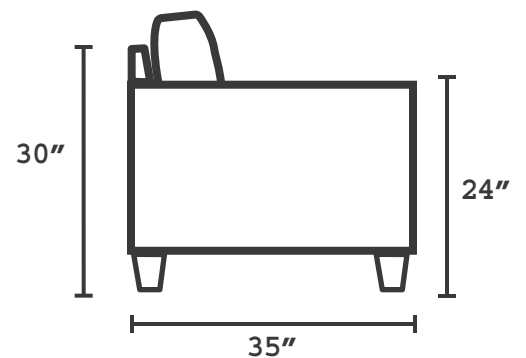
options:

channeled backs*
6" tripod/jetson legs*
arm caps*

sectionals:

for configurations
see sizing chart

*upcharge applies



a division of
ELAN DESIGNS LTD.






www.metrolinesofas.com
contactus@metrolinesofas.com

www.clansofas.com
contactus@clansofas.com

kensington



available lengths:

	x-1 sofa	89"
	sofa	77"
	sm. sofa	63"
	loveseat	55"
	chaise r/l	32/59"
	wide chair	37"
	chair	33"

standards:

zipped reversible seats
zipped reversible backs
5" wood legs

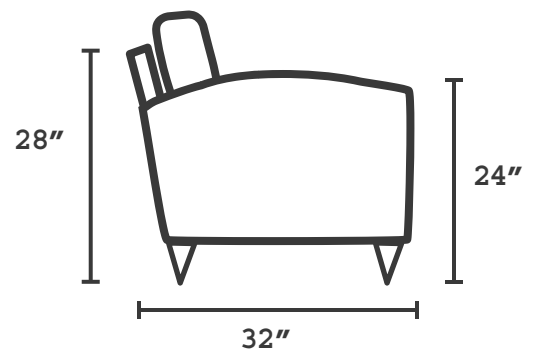
options:

6" tripod or jetson legs*
arm caps*

sectionals:

for configurations
see sizing chart

*upcharge applies



www.metrolinesofas.com www.clansofas.com
contactus@metrolinesofas.com contactus@clansofas.com



available lengths:



L/R arm 42"



Armless 30"



Corner 37"



Chair 54"

standards:

fixed back and seat
2" block wood legs

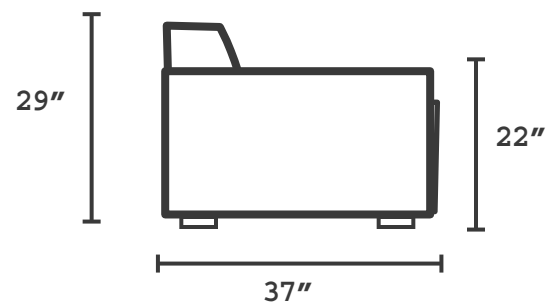
options:

arm caps*
arm tray*

sectionals:

St.opp is a modular series with unlimited configurations

*upcharge applies



a division of
ELAN DESIGNS LTD.

www.metrolineofas.com
contactus@metrolineofas.com

www.clansofas.com
contactus@clansofas.com

harlem



available lengths:



x-1 sofa 87"



sofa 75"



sm. sofa 61"



loveseat 53"



chaise r/l 31/59"



wide chair 35"



chair 31"

standards:

zipped reversible seats
zipped reversible backs
5" wood legs

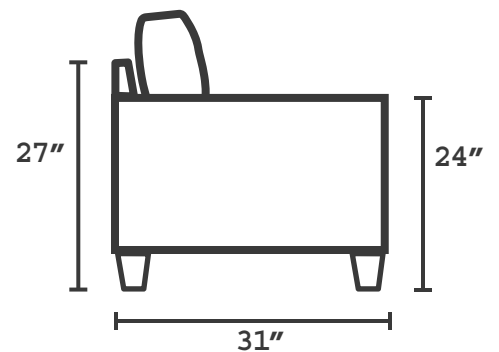
options:

6" tripod/jetson legs*
arm caps*

sectionals:

for configurations
see sizing chart

*upcharge applies



a division of
ELAN DESIGNS LTD.







www.metrolinesofas.com
contactus@metrolinesofas.com

www.clansofas.com
contactus@clansofas.com

statten i



available lengths:

	x-1 sofa	100"
	sofa	88"
	sm. sofa	74"
	loveseat	66"
	chaise r/l	37/59"
	wide chair	48"

standards:

zipped reversible seats
buttoned or smooth fixed backs
6" jetson legs

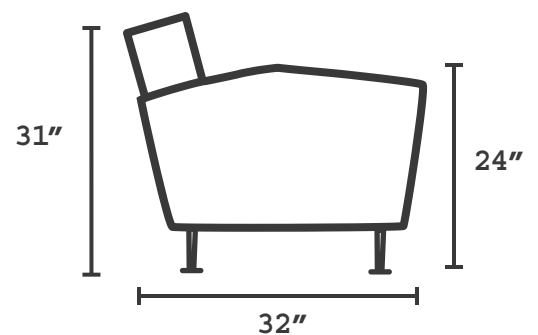
options:

6" tripod legs
arm caps*

sectionals:

see sizing chart for configurations

*upcharge applies



a division of
ELAN DESIGNS LTD.

www.metrolinesofas.com
contactus@metrolinesofas.com

www.clansofas.com
contactus@clansofas.com

yaletown bench



available lengths:



extended 71"



standard 54"

standards:

reversible bench seat
9" taper legs
2 side bolsters

options:

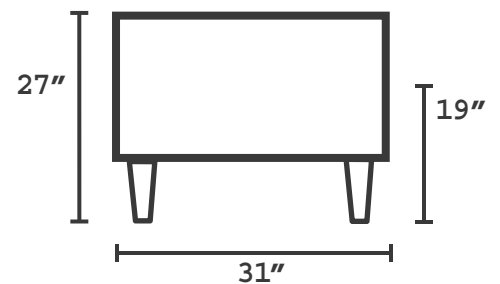
buttoned seat*
contrast bolsters*
*upcharge applies



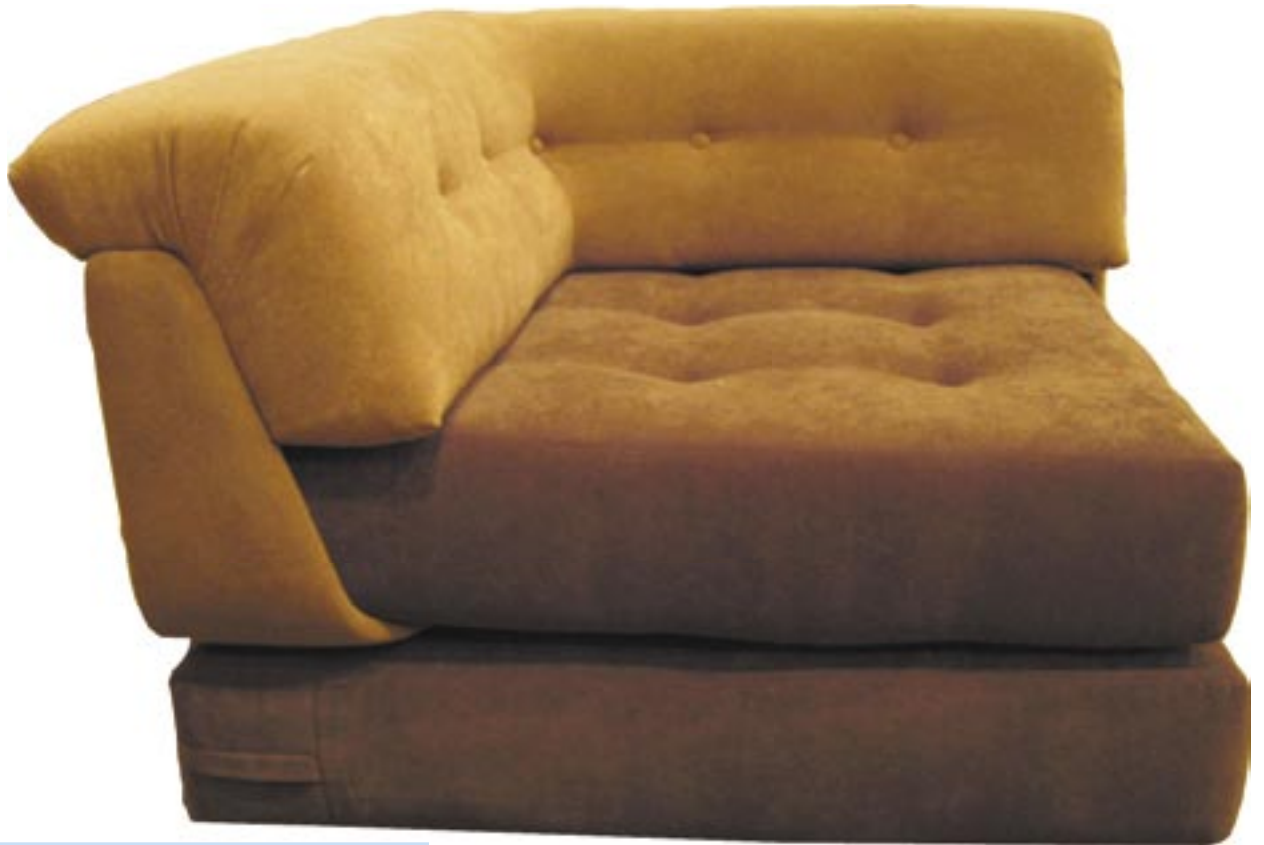
a division of
ELAN DESIGNS LTD.

www.metrolinesofas.com
contactus@metrolinesofas.com

www.clansofas.com
contactus@clansofas.com



assiniboine



modular sizes:



armless 38 x 38



corner 38 x 38



ottoman 38 x 38

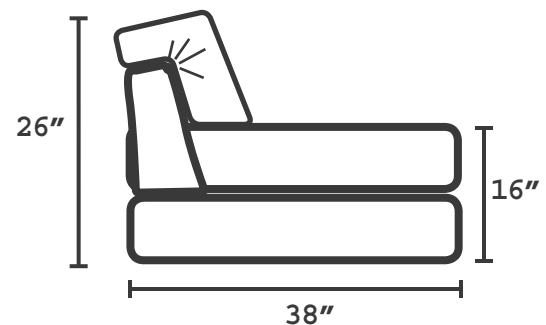
standards:

zipped buttoned seats/backs
interchangeable seats/backs
high-density foam base
bent birch ply bracket backs

options:

jumbo piped backs/cushions*
contrast buttoned backs/seats*

*upcharge applies



a division of
ELAN DESIGNS LTD.

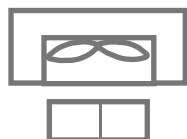
www.metrolinesofas.com
contactus@metrolinesofas.com

www.clansofas.com
contactus@clansofas.com

annex



available lengths:



annex king
78"L x 40"D x 28"H



annex queen
60"L x 40"D x 28"H

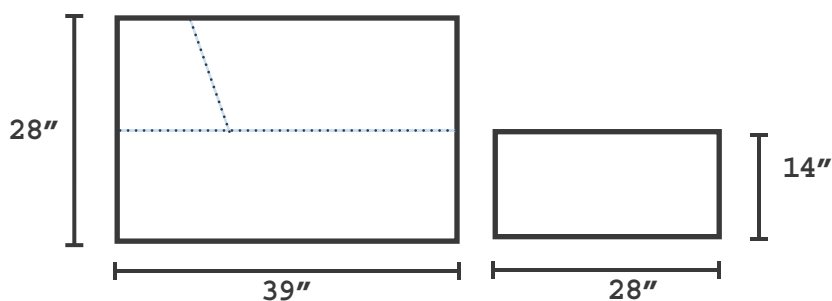
standards:

fully removable slipcover
2 zippered throw cushions
slipcovered ottoman

options:

contrast cushions/ottoman*

*upcharge applies



a division of
ELAN DESIGNS LTD.

www.metrolinesofas.com
contactus@metrolinesofas.com

www.clansofas.com
contactus@clansofas.com

metro ottomans



metro sizes:

small 22 x 22 x 16

medium 26 x 22 x 16

large 33 x 22 x 16

standards:

5" wood legs

plain or buttoned top

options:

6" tripod/jetson legs*

ottoman cover*

*upcharge applies

storage ottomans



storage sizes:

small 22 x 22 x 17

medium 26 x 22 x 17

large 33 x 22 x 17

standards:

5" wood legs

5" storage compartment

Eurostyle safety hinges

plain or buttoned top

options:

6" tripod/jetson legs*

ottoman cover*

*upcharge applies



a division of
ELAN DESIGNS LTD.

www.metrolinesofas.com
contactus@metrolinesofas.com

www.clansofas.com
contactus@clansofas.com

Legs:



5" Wedge available in:
clear lacquer, unfinished,
medium brown and espresso.
Custom colours available*



5" Cone available in:
clear lacquer, unfinished,
medium brown and espresso.
Custom colours available*



6" Jetson Leg*
Cast aluminum (brushed)
Self-leveling base
-standard on statten I



6" Tripod Leg*
Cast aluminum (brushed)
Self-leveling base
-standard on so.ho

*upcharge applies



Narrow cone and wedge legs
are supplied at no charge to
compliment Kensington pieces.

Accent Cushions:

square knife edge: 17" x 17" and 19" x 19"

kidney knife edge: 12" x 22" and 12" x 26"

all sizes are available with topstitch detail*

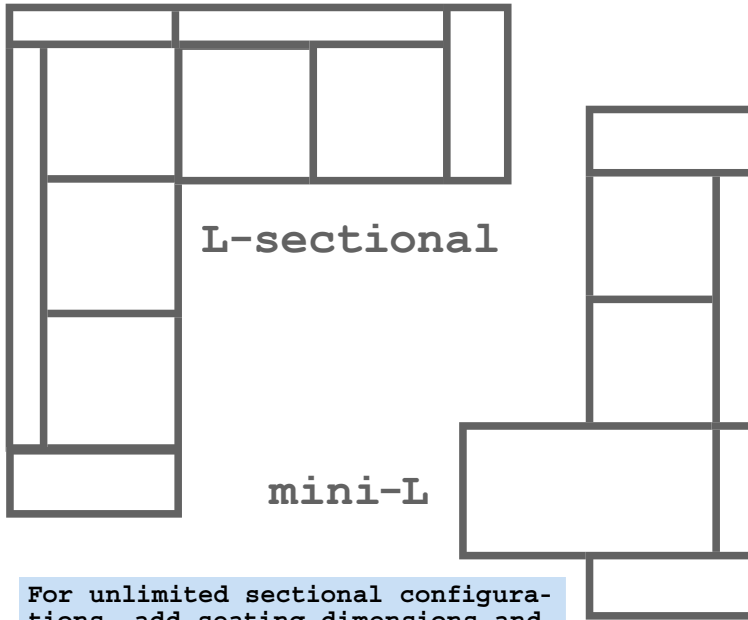


a division of
ELAN DESIGNS LTD.

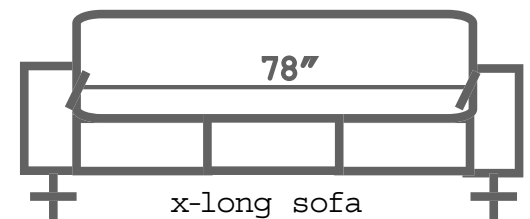
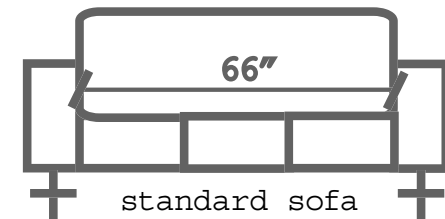
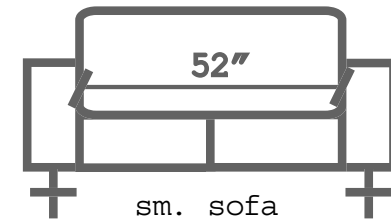
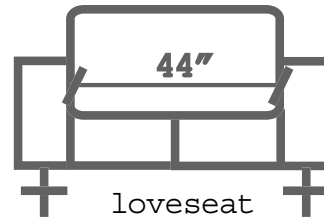
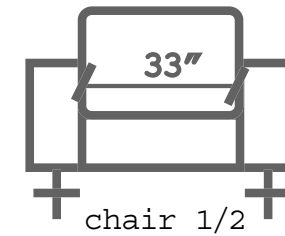
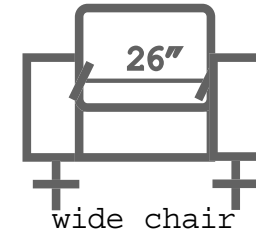
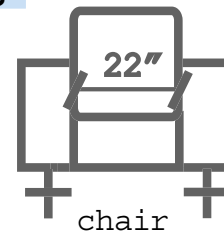
www.metrolinesofas.com
contactus@metrolinesofas.com

www.elansofas.com
contactus@elansofas.com

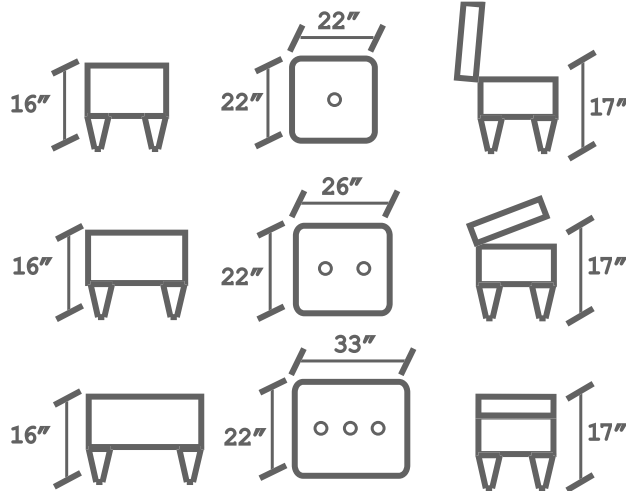
sizing chart for all metroline styles



For unlimited sectional configurations, add seating dimensions and arm sizes to get overall sizes. Don't forget to add the depth of a second piece to the length of the first. (or call us, we would be happy to help). Use the wide chair as your corner section.



arm widths:	
manhattan	6"
harlem	4.5"
so.ho	3.5"
kensington	5.5"
statten i.	11"
tribeca	5"
st.opp	12"



metro / storage ottomans



a division of
ELAN DESIGNS LTD.

www.metrolinesofas.com www.elansofas.com
contactus@metrolinesofas.com contactus@elansofas.com

